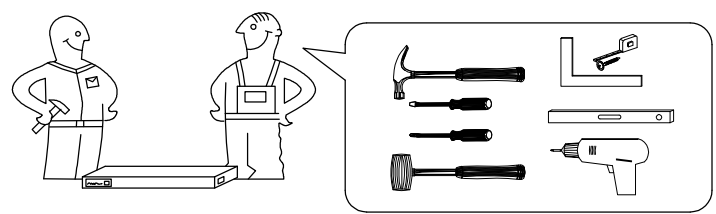
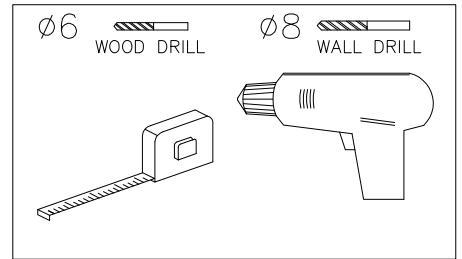
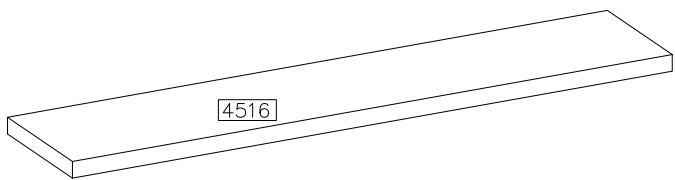
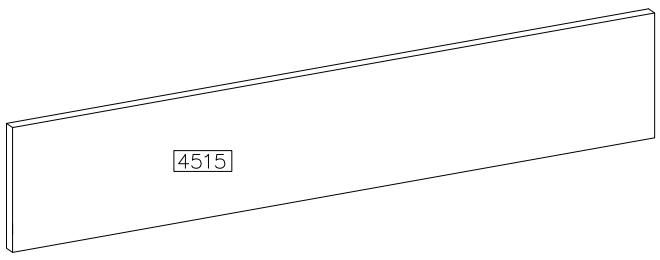
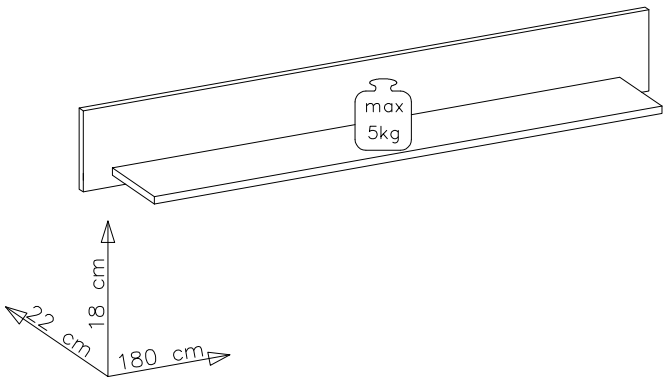
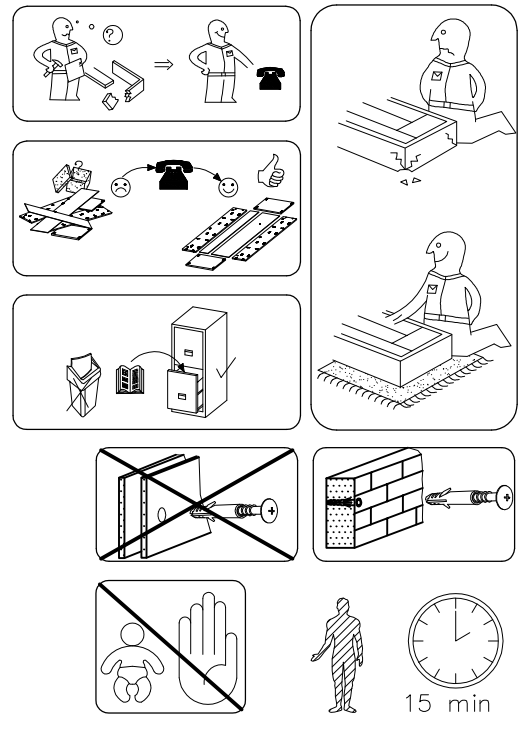


# FUN PLUS II

## 10 A1 MM 41



#	ART. NR	L	W	T	Q	Col.No
1	4515	1800	180	16	1	1
2	4516	1640	200	22	1	1



6,3x70mm  B1 5	 O 1	 B3 3	5.0x9mm  P10 6	ø8.0x50mm  Z1 3	ø8.0x50mm  Z 1
-------------------------	------------	-------------	-------------------------	--------------------------	-------------------------



1

6,3x70mm B1 5	 O 1	 B3 3	5.0x9mm P10 6
ø8.0x50mm Z1 3	ø8.0x50mm Z 1		

